

SLx

OPHTHALMIC DIAGNOSIS



A PERFECT FIT FOR EYE CARE PROVIDERS



a sturdy stand with fluid mechanical movement provides ergonomic benefits for hours of use. apochromatic optics provide the clearest possible view of the anterior and posterior segments of the patient's eye.

the SLx 40 is a nimble system that puts diagnostic essentials at the fingertips of eye care professionals. this microscope delivers all the performance features of the SLx 45 in optical and mechanical performance, but with a more compact illumination system. this ensures that SLx 40 provides doctors with greater space efficiency. the SLx 45 delivers ultimate value with a well-designed 3-step optical system and an efficient 30W tower style illumination system.



LaBOmED's *maxLite*[™] coated optics, standard in all SLx series Slit-lamps, yield crisp and detailed images. *maxLite*[™] coatings provide the highest throughput of light, thanks to superb anti-reflective properties. these optics are anti-fungal, anti-fog and scratch resistant in addition to producing true-to-life resolution.

LaBOmED SLx Series Slit lamps are sturdy instruments built with fluidity in movement and ergonomics to benefit hours of use.

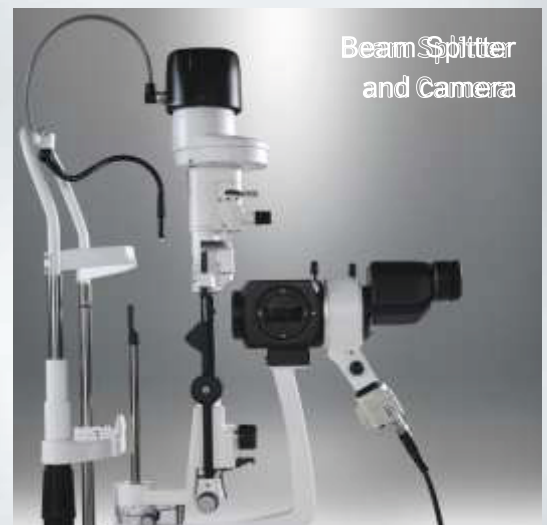
TWO SLIT LAMP STYLES

the SLx series accessories provide an array of options based on the needs of the doctor's practice. iOp readings are available with the addition of a tonometer. a host of beam splitters and adapters make it possible to integrate third party cameras.

For doctors who want a complete digital solution, LaBOmED's iVu SL system provides a 5-megapixel camera module for still image and video capture. the iVu SL is designed specifically for the SLx series to provide superior digital documentation.

all optics are lead free and all paints used have antimicrobial additives that prevent the growth of bacteria on contact surfaces, ensuring a healthier working environment. all parts in contact with patient are anti-toxic and anti-irritation.

"With the iVu SL camera, digital capture is fast and seamless. Digital documentation can now be done by any of my associates."

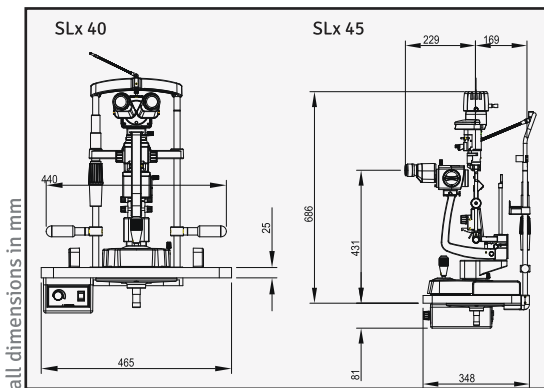


MEET THE NEEDS OF ANY OFFICE

SLX SLIT LAMP SERIES

	SLx 40	SLx 45
Microscope	Galilean	Galilean
Magnification	3 step: 10x, 16x, 25x	3 step: 10x, 16x, 25x
Eyepieces	WF 12.5x/18 mm, diopter adj. ± 5 mm	WF 12.5x/18 mm, diopter adj. ± 5 mm
IPD range	48.5 - 77 mm	48.5 - 77 mm
Slit length/width	0 - 13.5 mm	0 - 12 mm
Slit apertures	0.6, 5.8, 9, 13.5 mm and continuous 1.5 to 12.0 mm	0.3, 1, 3, 5, 9, 12 mm and continuous 1.5 to 12.0 mm
Slit rotation	0 - 180°	0 - 180°
Slit tilt	-	20° (in steps 0°, 5°, 10°, 15°, 20°)
Filters	Green, cobalt blue, heat absorbing	Red free, Green, cobalt blue, heat absorbing, neutral density
Movement ranges:		
Longitudinal (in/out)	100 mm	100 mm
Lateral (left/right)	107 mm	107 mm
Vertical (up/down)	30 mm	30 mm
Chin rest range	80 mm	80 mm
Illumination	6V 20W halogen	6V 20W halogen
Table base size	465 mm x 316 mm	465 mm x 316 mm
Weight	25 kg (packed)	24 kg (packed)
Optional accessories	Tonometer, Beam splitter, cameras, Diffuser, motorized table	Tonometer, Beam splitter, cameras, Diffuser, motorized table

SPECIFICATION



DESCRIPTION

SLx 40
SLx 45 T

CONFIGURATION

3 step Slit Lamp
3 step Slit Lamp

CATALOG NO.

8126400-000
8127400-000



Labo America, Inc.
920 Auburn Court
Fremont, CA 94538



LABOMED

Authorized Sales Partner:

MEX
ENTERPRISES
We Share in Healthcare...
ISO 13485 :2016 & ISO 9001 :2015 Certified Company

HEAD OFFICE

MEX ENTERPRISES
ISO 13485 :2016 & ISO 9001 :2015 Certified Company
Plot No. 50/1B-50/2B, Rajharsh
Colony, Near CI Square Shopping
Mall, Kolar Road, Bhopal, M.P
India-462042

DELHI SALES OFFICE

MEX ENTERPRISES
ISO 13485 :2016 & ISO 9001 :2015 Certified Company
Building Name - Classic's, T-1895/1,
Upper Ridge Road, Karol Bagh, New
Delhi India- 110005

RAIPUR SALES OFFICE

MEX ENTERPRISES
ISO 13485 :2016 & ISO 9001 :2015 Certified Company
House No.-10/806, ShivanandNagar,
Jhanda Chowk, Raipur Chhattisgarh
India-492008

Ph.: +91 755 4256391, +91 9302778762, +91 9111429222, Email: info@mediequipbazar.com, export@mediequipbazar.com
Website: www.mediequipbazar.com